

REV	REVISION RECORD	ECN	BY	APVD	DATE
A	INITIAL RELEASE	14183	MAC	JB	6-05-96
B	PER ECN 14471	14471	MAC	JB	6-05-96

NOTE: UNLESS OTHERWISE SPECIFIED

1. INTERPRET DRAWING IN ACCORDANCE WITH ANSI Y14.5-1982.
2. REMOVED
3. PITCH CONSISTENCY TO BE WITHIN  $\pm 0.005$  OVER 3.000 INCHES.
- PART TO BE SUPPLIED ON A CONTINUOUS REEL.
5. ALL DIMENSIONS APPLY AFTER PLATING.

PART NUMBER BREAKDOWN

- 0 = UNDER 1 INCH OAL.
- 1 = OVER 1 INCH OAL.

PIN SIZE



OVERALL LENGTH "L"

PIN LENGTH "P" ABOVE STAR

PIN TYPE  
(SEE STAR DETAIL)

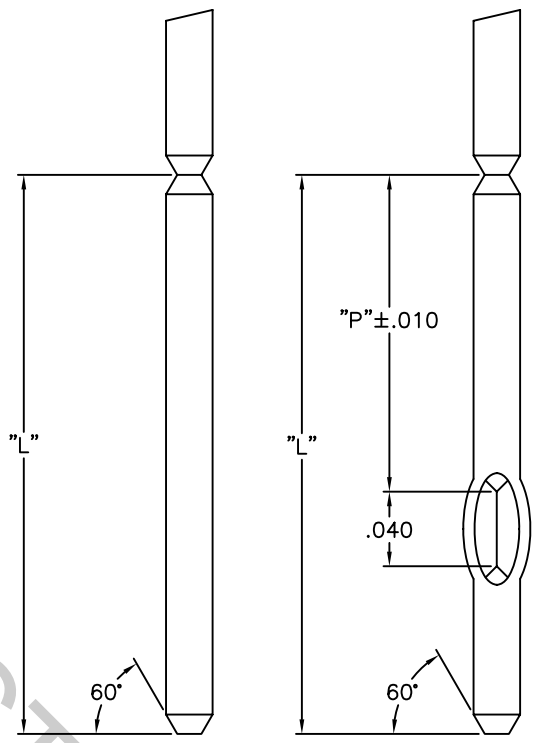
- 1 = SQUARE PIN
- 2 = SQUARE PIN WITH STANDARD STAR

FINISH VARIATIONS

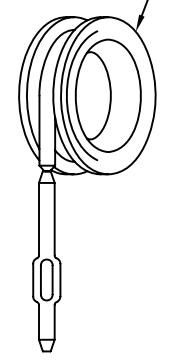
- AA = TIN/LEAD .000120 MIN OVER NICKEL
- BB = GOLD PLATE .000005 OVER NICKEL
- CC = GOLD PLATE .000010 OVER NICKEL
- WW = GOLD PLATE .000015 OVER NICKEL
- DD = GOLD PLATE .000020 OVER NICKEL
- EE = GOLD PLATE .000030 OVER NICKEL

MATERIAL

- 2 = BRASS ALLOY
- 5 = PHOSPHOR BRONZE ALLOY
- 7 = COPPER/NICKEL/TIN ALLOY



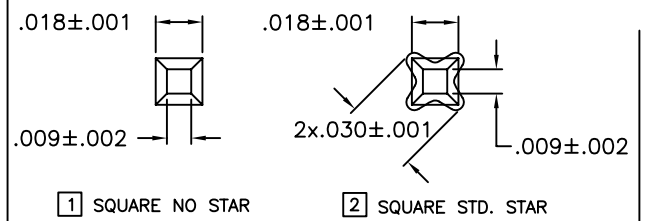
REELING ORIENTATION  
AP/2 REEL  
(24" O.D. x 20" I.D.)



PIN WITH NO STAR

PIN WITH STAR

*CUSTOMER DRAWING*



- 1 SQUARE NO STAR
- 2 SQUARE STD. STAR

STAR DETAIL

This drawing and the information set forth herein are the property of AutosplICE, Inc. and are to be held in trust and confidence. Publication, duplication, disclosure, or use for any purpose not expressly authorized in writing by AutosplICE, Inc. is prohibited.

ALL DIMENSIONS ARE IN INCHES		<b>autosplICE</b> AUTOSPLICE INC. 10121 Barnes Canyon Road San Diego, California 92121 (619) 535-0077	
DECIMAL: XX = ±.01 XXX = ±.005	THIRD ANGLE PROJECTION	DRAWN BY <b>MAC M</b> DATE 6-05-96	APPROVED BY <b>J BIANCA</b> DATE 6-05-96
ANGULAR: ±5'		TITLE: <b>AUTOPIN/2 DETAIL PART DRAWING</b>	
SIZE: <b>C</b>	FSCM NO: <b>0AE89</b>	DRAWING NUMBER: <b>C8-18[1 thru 2]</b>	REV: <b>B</b>
SCALE: NONE		CAD FILE NO. C08-181-20X AND REV. SHEET 1 OF 1	